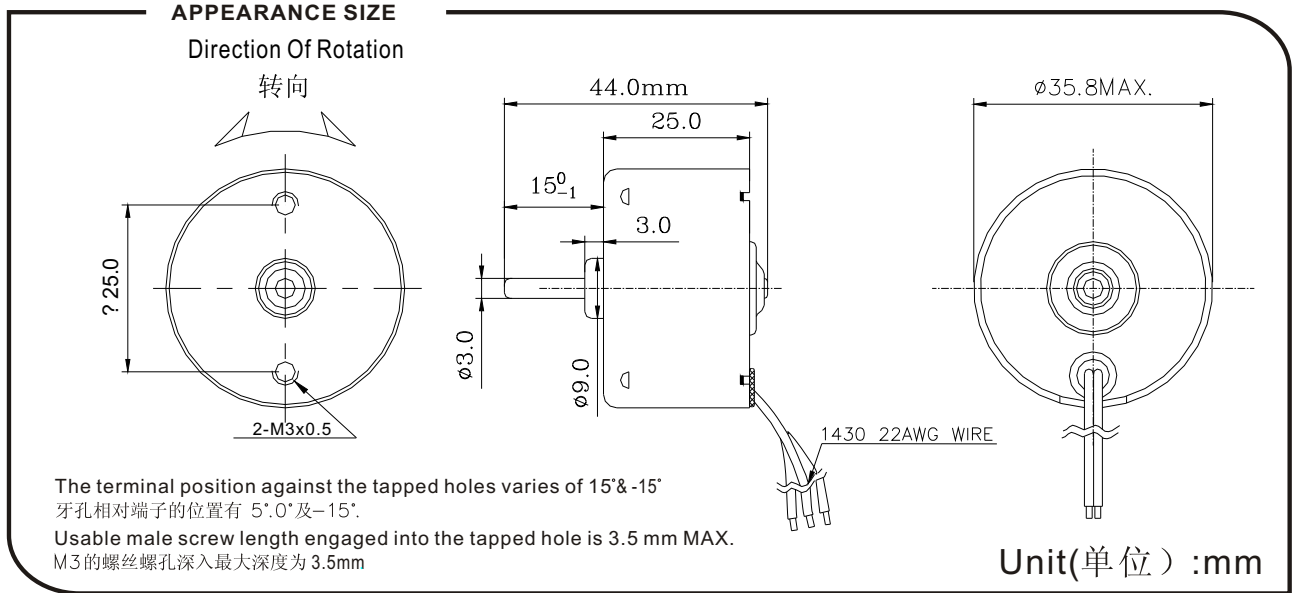


Main voltage: 3VDC、6VDC、9VDC、12VDC、24VDC、

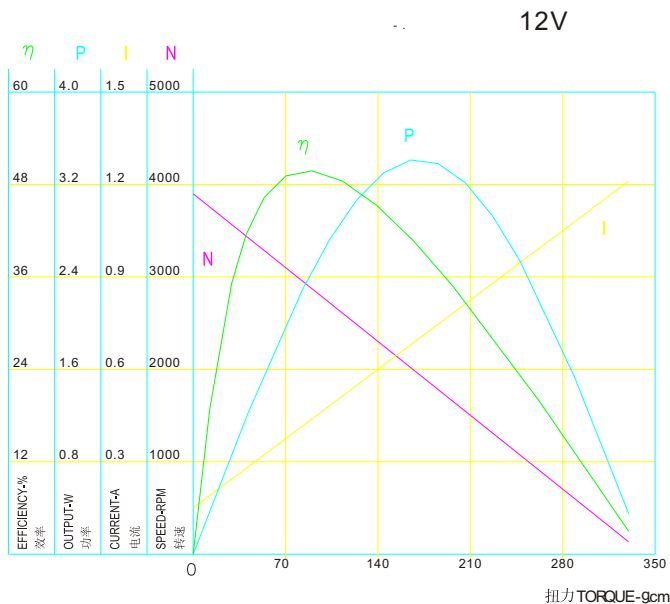
Typical applications: Air Pump, Medical Devices, Printer, Electric Curtains, Electric Valves

Standard Shaft: 38,40,42(mm)



Motor data:

OPERATING RANGE 工作范围	NOMINAL VOLTAGE 工作电压	AT NO LOAD 空载		AT MAX. EFFICIENCY 最大效率					AT MAX. OUTPUT 最大功率					AT STALL 堵转	
		SPEED 转速	CURRENT 电流	SPEED 转速	CURRENT 电流	TORQUE 扭力	OUTPUT 功率	EFFICIENCY 效率	SPEED 转速	CURRENT 电流	TORQUE 扭力	OUTPUT 功率	EFFICIENCY 效率	CURRENT 电流	TORQUE 扭力
V	V	RPM	A	RPM	A	g.cm	W	%	RPM	A	g.cm	W	%	A	g.cm
5.0~12.0	6.0	2380	0.12	1618	0.26	43.7	0.72	46.52	1190	0.33	68.3	0.83	41.01	0.56	136.7
6.0~15.0	12.0	3900	0.15	2886	0.44	88.9	2.63	49.84	1950	0.70	171.0	3.42	40.26	1.26	342.0
6.0~15.0	12.0	3140	0.08	2386	0.25	70.5	1.73	59.10	1570	0.42	146.7	2.36	46.90	0.76	293.5
18.0~26.0	24.0	4400	0.09	3212	0.25	98.8	3.26	54.25	2200	0.38	183.0	4.13	44.50	0.66	366.1



Functions and Features 功能特性:

- Three-phase bipolar drive 三相驱动
- CW/CCW Select: High=CW/Low=CCW
正转/反转选择 高电平正转, 低电平反转
- Start/Stop Control: High=Start/Low=Stop
- PWM Input:
f_{in}=20HZ-100HZ
Duty Cycle=5% to 95%
- The motor has over current protective function
电机具有过流保护功能
- Terminal for output signal of motor revolution
马达转速信号输出